

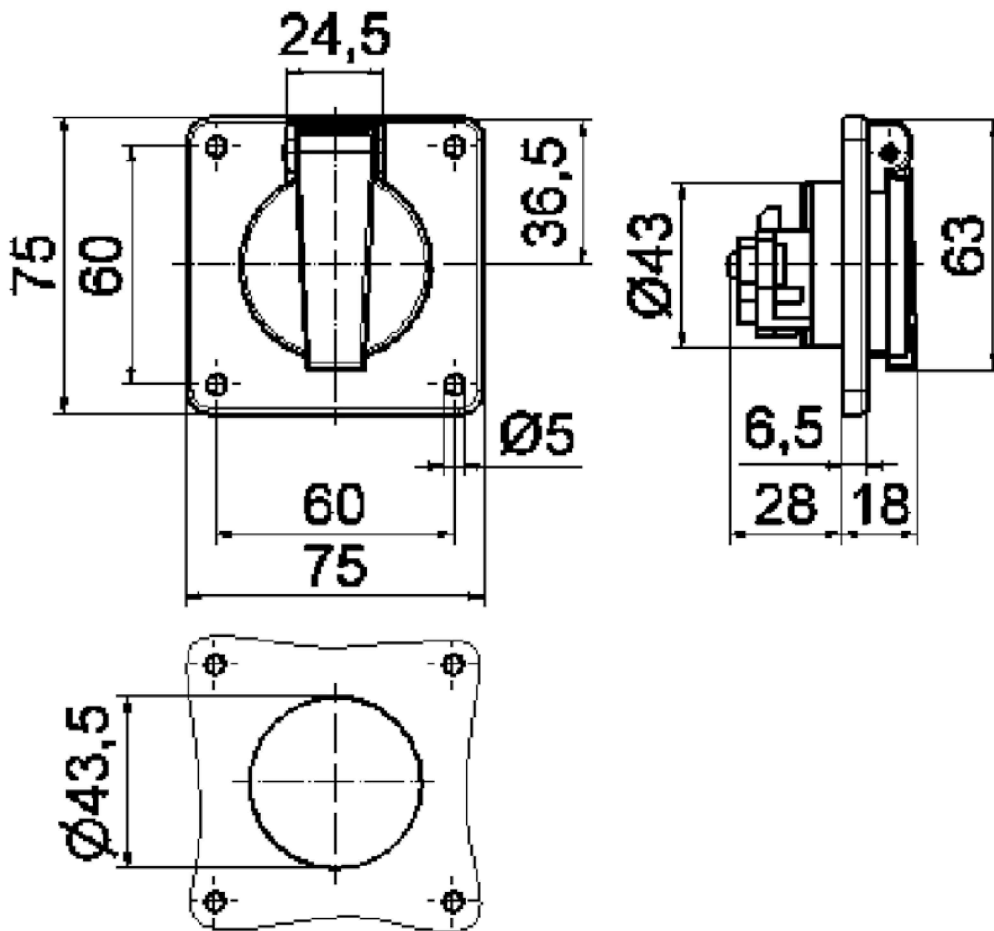
panel mounting socket outlet, straight - flange 75x75, System E Belgian/French standard



Product description	
BALS-Prd.-Nr	7140
EAN	4024941071406
Product group	Domestic panel mounting socket outlet, straight, System F German standard
Current	16A
Number of poles	3p
Arrangement of the phases	2P+PE
Voltage	250V
Frequency	alternating current (AC)

Product description	
Protection degree	IP54
Colour code	blue
Colour of appliance	Hinged lid blue
Connection design	head-screw terminal
Flange size vertical in mm	75mm
Flange size horizontal in mm	75mm
Drill hole distance vertical in mm	60mm
Drill hole distance horizontal in mm	60mm
Material of enclosure	Polyamide
Contacts	The contact carrier is made of high temperature resistant material, the contacts are brass nickel plated

Additional technical information	
	The connection is rear, With earth contact Belgian/French standard
	With hammer symbol



18 MB 39